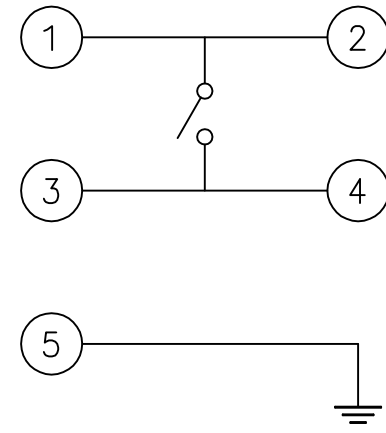
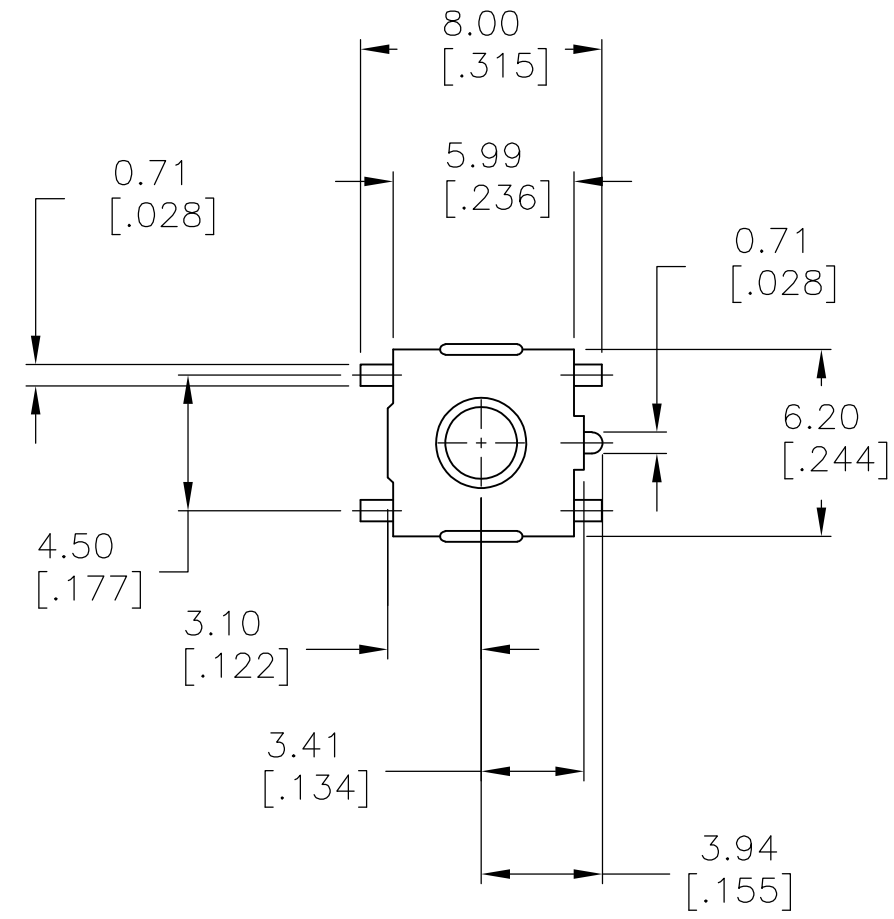


THIS DRAWING IS UNPUBLISHED. RELEASED FOR PUBLICATION
 © COPYRIGHT - By - ALL RIGHTS RESERVED.

LOC		DIST		REVISIONS			
P	LTR	DESCRIPTION		DATE	DWN	APVD	
AD	00	E		REVISED PER ECO-15-016664	23NOV2015	NK	RH



CIRCUIT DIAGRAM

SPECIFICATIONS:

CASE: PPS, 94V0, BLACK.
 COVER: COPPER ALLOY-TIN PLATE.
 ACTUATOR BUTTON: SEE TABLE, COLOR: SEE TABLE.
 MOVING CONTACT: COPPER ALLOY, SILVER FINISH.
 FIXED CONTACT/TERMINAL: COPPER ALLOY, SILVER FINISH.

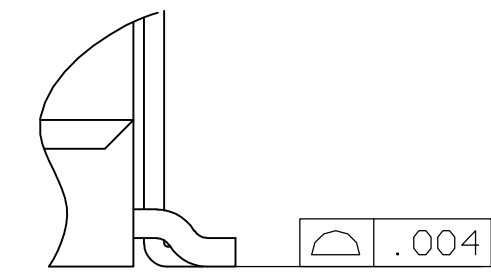
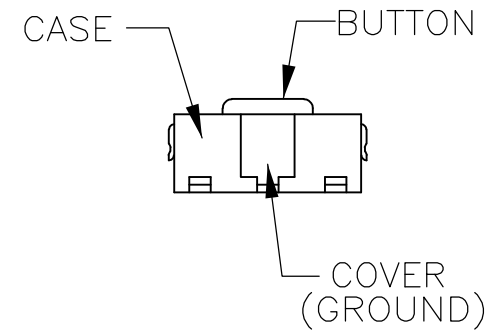
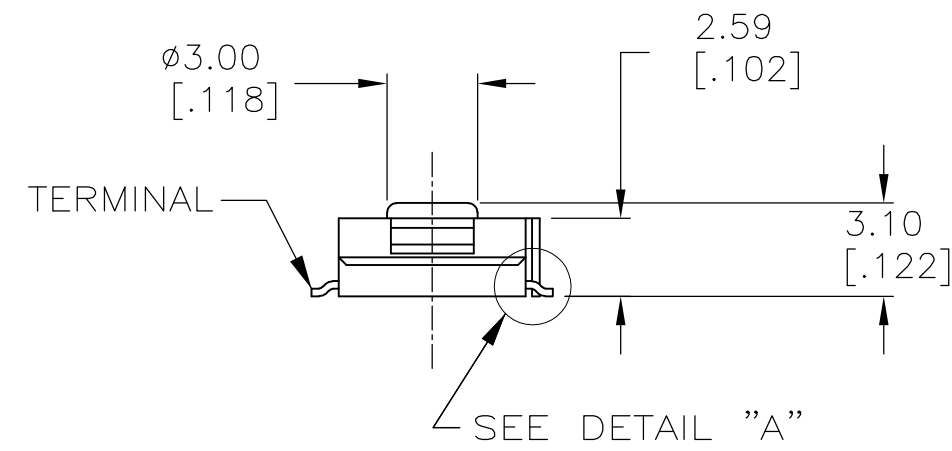
ELECTRICAL:
 MAX CONTACT RATING: 50MILLIAMPS@24V DC
 MIN CONTACT RATING: 10MICROAMPS@1V DC
 CONTACT RESISTANCE: 100 MILLIOHMS MAX.
 INSULATION RESISTANCE: 100 MEGOHMS MIN. @ 100 VDC.
 DIELECTRIC STRENGTH: 500 VAC 50/60 HZ FOR 1 MINUTE
 LIFE EXPECTANCY: 100,000 CYCLES.

MECHANICAL:
 ACTUATION FORCE: SEE CHART.
 ACTUATION TRAVEL: 0.25 +0.20/-0.10 [.010 +.008/-0.004]

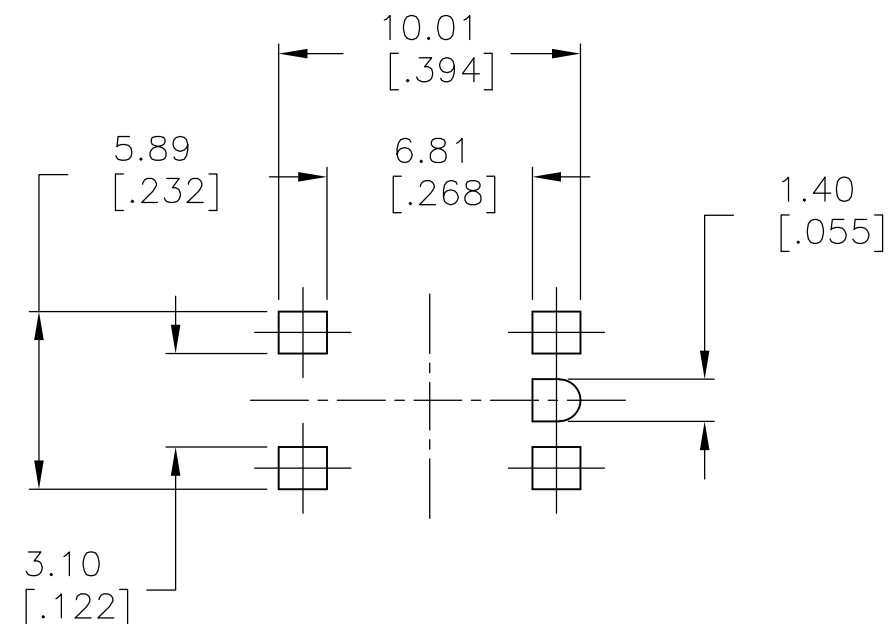
ENVIRONMENTAL:
 OPERATING TEMPERATURE: -35°C TO +85°C
 STORAGE TEMPERATURE: -35°C TO +85°C
 SOLDER HEAT RESISTANCE PER 109-201, COND B.

SOLDERABILITY:
 SPECIFICATION EIA-364-52, CLASS 1, CATEGORY 2

- ALL MATERIALS AND FINISHES SHALL COMPLY WITH EU DIRECTIVE 2002/95/EC OF 27JAN2003 (ROHS)
- TAPE AND REEL PACKAGING PER EIA-481



DETAIL "A"
 SCALE 15:1



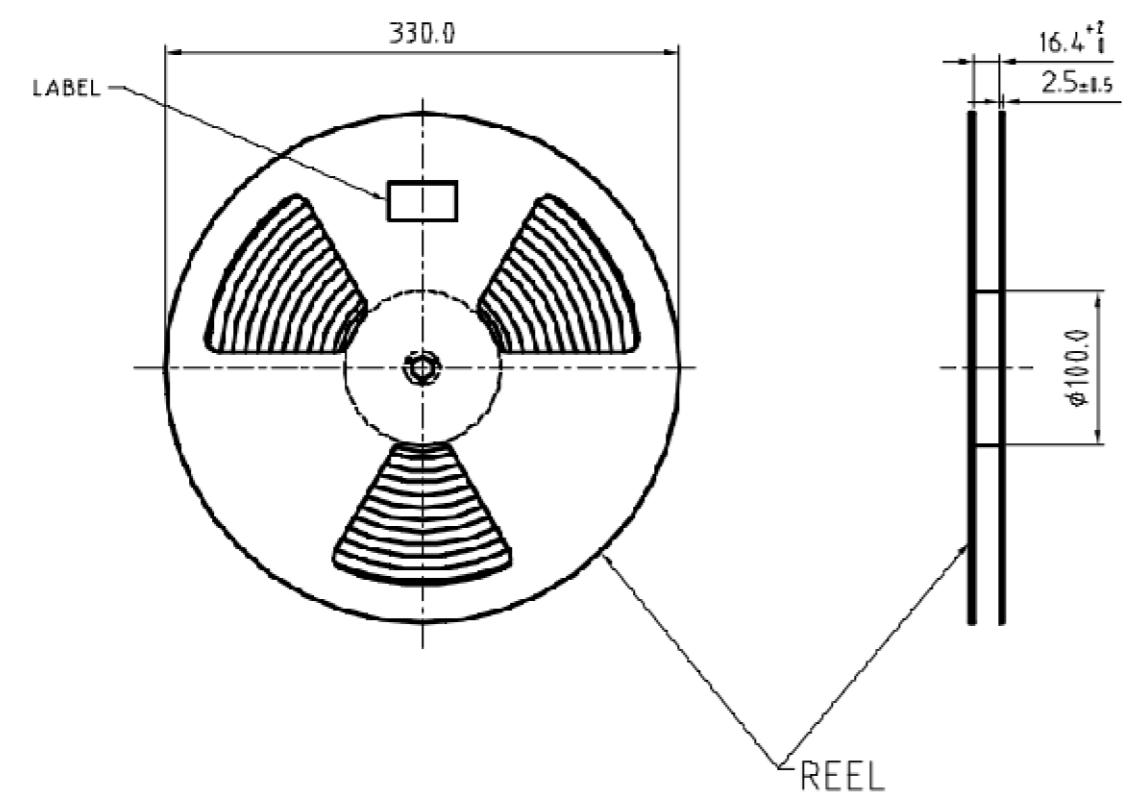
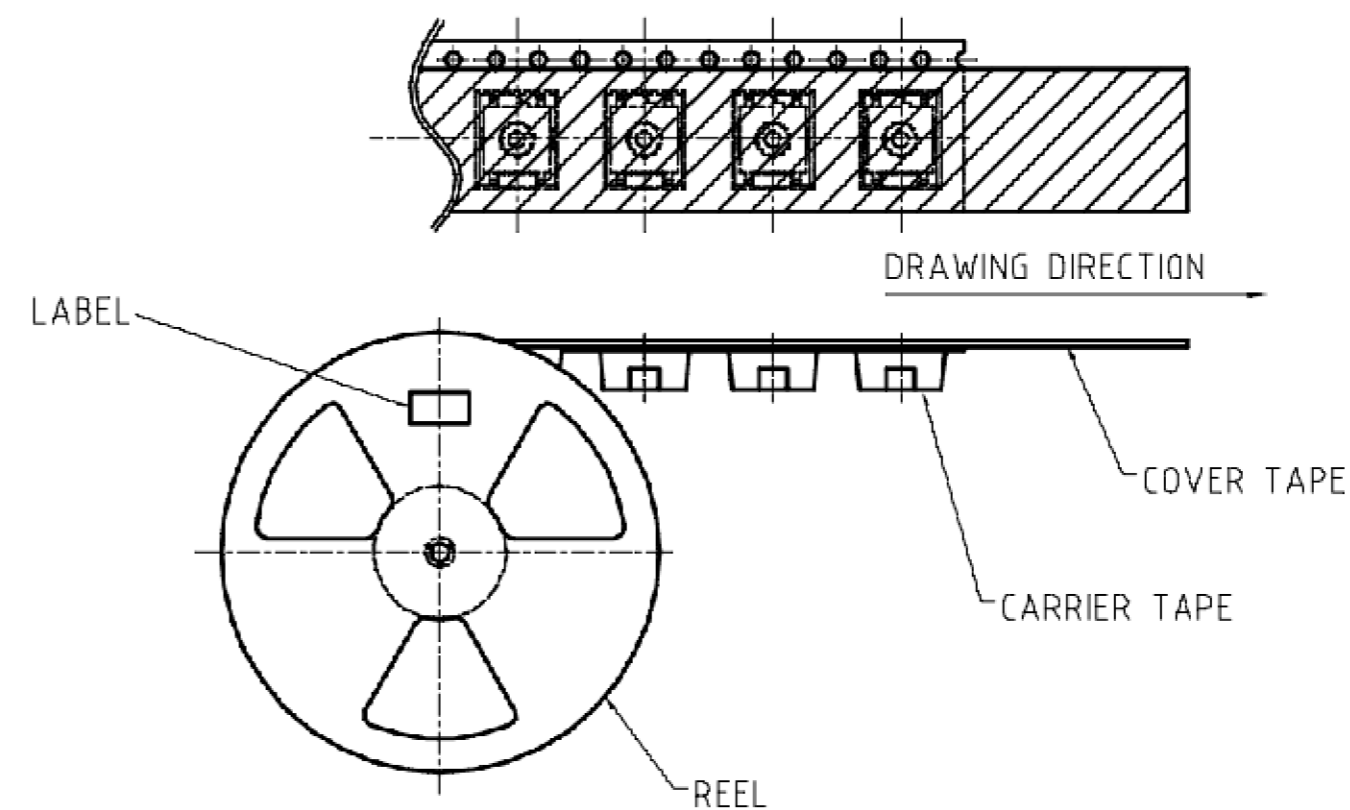
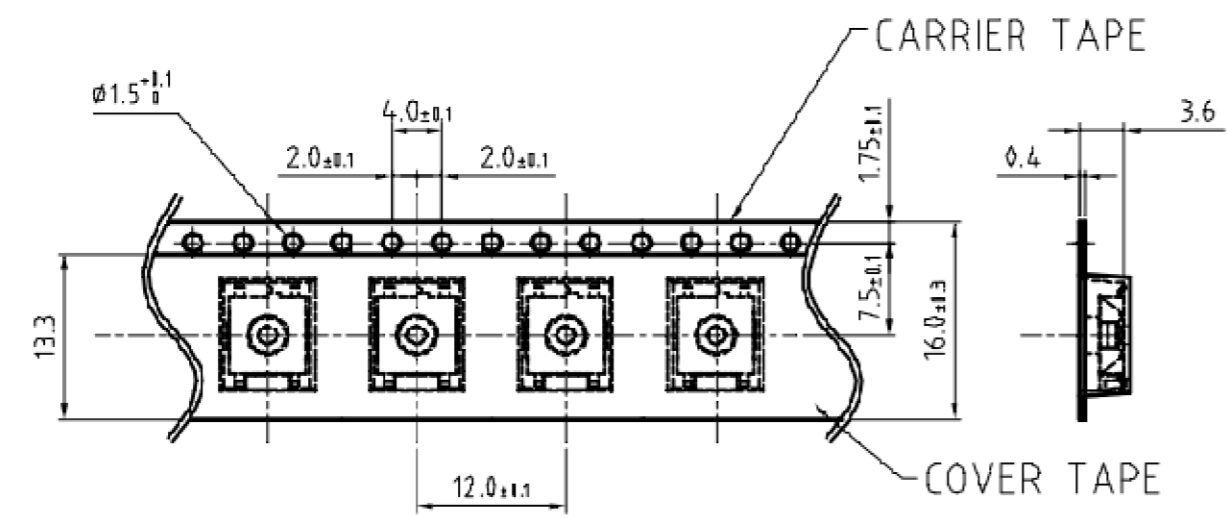
P.C.B. FOOTPRINT

PART NUMBER	PART NUMBER	ACTUATOR MATERIAL	ACTUATOR BUTTON COLOR	ACTUATION FORCE	PACKAGING
1-1437565-6	FSM1LP	PPA UL94HB	BLACK	160±50 gm.	BULK
1-1437565-9	FSM1LPTR	PPA UL94HB	BLACK	160±50 gm.	TAPE & REEL
1-1437565-7	FSM1LPA	PPS UL94V-0	BROWN	260±50 gm.	BULK
1-1437565-8	FSM1LPATR	PPS UL94V-0	BROWN	260±50 gm.	TAPE & REEL

THIS DRAWING IS A CONTROLLED DOCUMENT.		DWN M. BINNER 13MAR2007	TE Connectivity														
DIMENSIONS: mm [INCHES]		CHK M. SARVER 20MAR2007															
TOLERANCES UNLESS OTHERWISE SPECIFIED:		APVD M. SARVER 20MAR2007	NAME TACTILE SWITCH FSM1LP														
<table border="0"> <tr><td>0 PLC</td><td>± -</td></tr> <tr><td>1 PLC</td><td>± -</td></tr> <tr><td>2 PLC</td><td>± 0.30[.012]</td></tr> <tr><td>3 PLC</td><td>± -</td></tr> <tr><td>4 PLC</td><td>± -</td></tr> <tr><td>ANGLES</td><td>± -</td></tr> </table>		0 PLC	± -	1 PLC	± -	2 PLC	± 0.30[.012]	3 PLC	± -	4 PLC	± -	ANGLES	± -	PRODUCT SPEC -	SIZE A2	CAGE CODE 00779	DRAWING NO C=1-1437565-8
0 PLC	± -																
1 PLC	± -																
2 PLC	± 0.30[.012]																
3 PLC	± -																
4 PLC	± -																
ANGLES	± -																
MATERIAL -		FINISH -	WEIGHT -	SCALE 4:1	SHEET 1 of 2												
CUSTOMER DRAWING			RESTRICTED TO -	REV E													

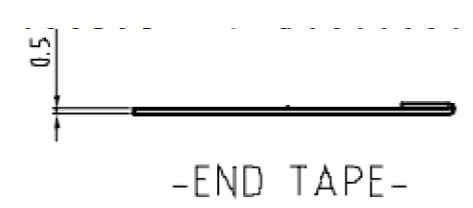
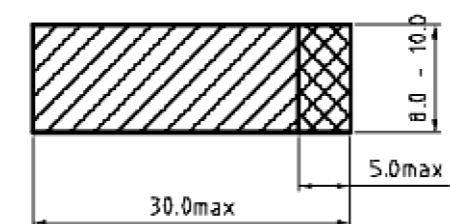
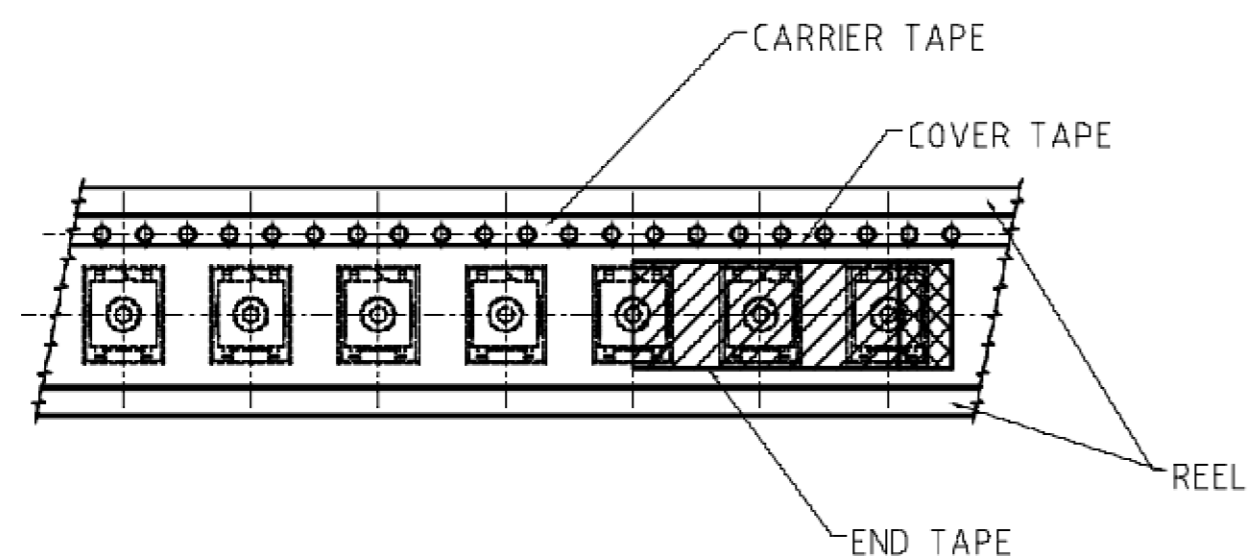
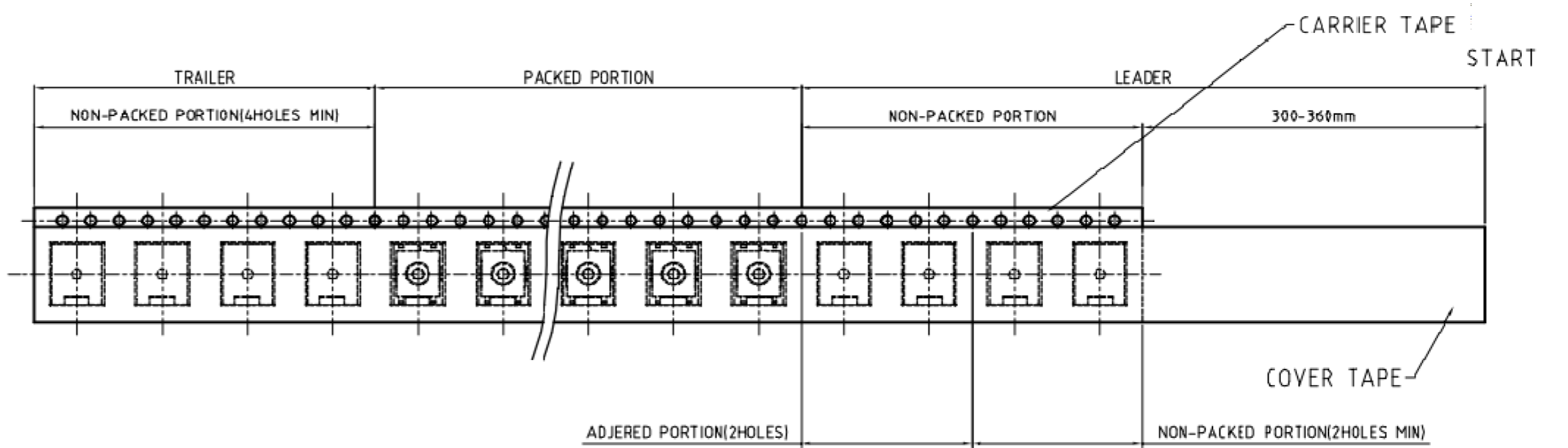
THIS DRAWING IS UNPUBLISHED. RELEASED FOR PUBLICATION
 © COPYRIGHT - By - ALL RIGHTS RESERVED.

LOC		DIST		REVISIONS			
P	LTR	DESCRIPTION	DATE	DWN	APVD		
AD	00	SEE SHEET 1	-	-	-		



-THE DIRECTION OF PILOT HOLES-

-THE DIMENSION OF CARRIER TAPE, COVER TAPE AND REEL-



-END TAPE-

THIS DRAWING IS A CONTROLLED DOCUMENT.		DWN M.BINNER 13MAR2007		
DIMENSIONS: mm [INCHES]		CHK M.SARVER 20MAR2007		
TOLERANCES UNLESS OTHERWISE SPECIFIED:		APVD M.SARVER 20MAR2007	NAME TACTILE SWITCH FSM1LP	
0 PLC ± -		PRODUCT SPEC	SIZE A2	
1 PLC ± -		APPLICATION SPEC	CAGE CODE 00779	
2 PLC ± 0.30[.012]			DRAWING NO 1-1437565-8	
3 PLC ± -			RESTRICTED TO	
4 PLC ± -			SCALE 4:1	
ANGLES ± -			SHEET 2 OF 2	
FINISH		WEIGHT -	REV E	
MATERIAL -		CUSTOMER DRAWING		

Mouser Electronics

Authorized Distributor

Click to View Pricing, Inventory, Delivery & Lifecycle Information:

[TE Connectivity:](#)

[FSM1LP](#)